

Alfa Laval T15

Gasketed plate heat exchanger for a wide range of applications

Introduction

Alfa Laval Industrial line is a wide product range that is used in virtually all types of industry.

Suitable for a wide range applications, this model is available with a large selection of plate and gasket types.

Applications

- Biotech and Pharmaceutical
- Chemicals
- Energy and Utilities
- Food, Dairy and Beverages
- Home and Personal care
- HVAC and Refrigeration
- Machinery and Manufacturing
- Marine and Transportation
- Mining, Minerals and Pigments
- Pulp and Paper
- Semiconductor and Electronics
- Steel
- Water and Waste treatment

Benefits

- High energy efficiency – low operating cost
- Flexible configuration – heat transfer area can be modified
- Easy to install – compact design
- High serviceability – easy to open for inspection and cleaning and easy to clean by CIP
- Access to Alfa Laval's global service network

Features

Every detail is carefully designed to ensure optimal performance, maximum uptime and easy maintenance. Selection of available features, depending on configuration some features may not be applicable:



- Five-point alignment
- T-bar roller
- CurveFlow™ distribution area
- ClipGrip™ gasket attachment
- Offset gasket groove
- OmegaPort™ noncircular port holes
- Leak chamber
- SteerLock™ plate alignment



- FlexFlow™ plate design
- Compact frame
- Bearing boxes
- Fixed bolt head
- Key hole bolt opening
- Lifting lug
- Lining
- Lock washer
- Tightening bolt cover

Alfa Laval 360° Service Portfolio

Our extensive service offering ensure top performance from your Alfa Laval equipment throughout its life cycle. The Alfa Laval 360 Service Portfolio include installation services, cleaning and repair as well as spare parts, technical documentation and trouble shooting. We also offer replacement, retrofit, integrity testing, monitoring and much more.

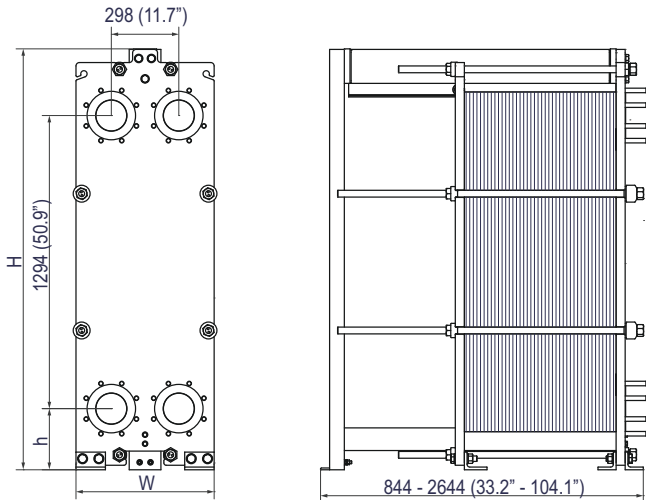
For information about our complete service offering and how to contact us - please visit www.alfalaval.com/service.

General remarks for technical information

- The global offering presented in this leaflet may not be available for all regions
- All combinations may not be configurable

Dimensional drawing

Measurements mm (inches)



Frame type	H	W	h
FM, PED, ALS, Marine ¹	1833 (72.7")	610 (24.0")	270 (10.6")
FG, PED, ALS, Marine ¹	1871 (73.7")	650 (25.6")	284.5 (11.2")
FG, ASME	1856 (73.1")	650 (25.6")	270 (10.6")
FS, PED, ALS, ASME	1871 (73.7")	650 (25.6")	284.5 (11.2")
FD, ASME	1871 (73.7")	650 (25.6")	284.5 (11.2")

¹ Marine includes the PV-codes: ABS, BV, CCS, ClassNK, DNV, KR, LR, RINA, and RMRS.

The number of tightening bolts may vary depending on pressure rating.

Technical data

Plates	Type	Free channel, mm (inches)
B	Single plate	2.42 (0.0953)
M	Single plate	3.80 (0.1496)
BDC	Double wall plate	2.45 (0.0965)

Materials

Heat transfer plates	304, 316, 254, C276, Ni, C2000, G30 Ti
Field gaskets	NBR, EPDM, FKM, HNBR, HeatSeal Metal lined: stainless steel, Alloy 254, Alloy C-276,
Flange connections	titanium Rubber lined: NBR, EPDM
Frame and pressure plate	Carbon steel, epoxy painted

Other materials may be available on request

Operational data

Frame type	Max. design pressure (barg/psig)	Max. design temperature (°C/°F)
FM, pvcALS	10.4/151	200/392
FM, PED	10.4/151	200/392
FM, Marine ¹	10.4/151	180/356
FG, pvcALS	16.0/232	200/392
FG, ASME	11.0/159	250/482
FG, PED	16.0/232	200/392
FG, Marine ¹	16.0/232	180/356
FD, ASME	21.0/304	250/482

¹ Marine standard includes the standards: ABS, BV, CCS, ClassNK, DNV, KR, LR, RINA, and RMRS.

Frame type	Max. design pressure (barg/psig)	Max. design temperature (°C/°F)
FS, pvcALS	38.0/551	200/392
FS, ASME	36.0/522	250/482
FS, PED	38.0/551	200/392

¹ Marine standard includes the standards: ABS, BV, CCS, ClassNK, DNV, KR, LR, RINA, and RMRS.

Extended pressure and temperature rating may be available on request.

Flange connections

Frame type	Connection standard
FM, pvcALS	EN 1092-1 DN150 PN10
	EN 1092-1 DN150 PN16
	ASME B16.5 Class 150 NPS 6 JIS B2220 10K 150A
FM, PED	EN 1092-1 DN150 PN10
	EN 1092-1 DN150 PN16 ASME B16.5 Class 150 NPS 6
FM, Marine ¹	EN 1092-1 DN250 PN10
	EN 1092-1 DN150 PN16
	ASME B16.5 Class 150 NPS 6 JIS B2220 10K 150A
FG, pvcALS	EN 1092-1 DN150 PN16
	EN 1092-1 DN150 PN25
	ASME B16.5 Class 150 NPS 6 JIS B2220 10K 150A
	JIS B2220 16K 150A
FG, Marine ¹	EN 1092-1 DN150 PN16
	ASME B16.5 Class 150 NPS 6 JIS B2220 10K 150A
	JIS B2220 16K 150A
FG, ASME	ASME B16.5 Class 150 NPS 6
	EN 1092-1 DN150 PN16
FG, PED	EN 1092-1 DN150 PN25
	ASME B16.5 Class 150 NPS 6
FD, ASME	ASME B16.5 Class 150 NPS 6
	ASME B16.5 Class 300 NPS 6
FS, pvcALS	EN 1092-1 DN150 PN25
	EN 1092-1 DN150 PN40
	ASME B16.5 Class 300 NPS 6 JIS B2220 20K 150A
FS, ASME	ASME B16.5 Class 300 NPS 6
	EN 1092-1 DN150 PN25
FS, PED	EN 1092-1 DN150 PN40
	ASME B16.5 Class 300 NPS 6

¹ Marine includes the standards: ABS, BV, CCS, DNV, ClassNK, KR, LR, RINA, and RMRS.

Standard EN1092-1 corresponds to GOST 12815-80 and GB/T 9115.

This document and its contents are subject to copyrights and other intellectual property rights owned by Alfa Laval Corporate AB. No part of this document may be copied, re-produced or transmitted in any form or by any means, or for any purpose, without Alfa Laval Corporate AB's prior express written permission. Information and services provided in this document are made as a benefit and service to the user, and no representations or warranties are made about the accuracy or suitability of this information and these services for any purpose. All rights are reserved.

200001404-13-EN-GB

© Alfa Laval Corporate AB

How to contact Alfa Laval

Up-to-date Alfa Laval contact details for all countries are always available on our website at www.alfalaval.com