

# Alfa Laval Brew 80 Plus

## Disc stack separation system for brewery applications

### Introduction

For more than 100 years, Alfa Laval has been supplying separators for various industries. Today, Alfa Laval has the most complete and diverse offering of separators – each fully optimized for its specific duty and supplied with all auxiliary systems and key components.

The use of disc stack separators in different brewery applications goes back several decades. Based on the long-term cooperation with the brewery industry, Alfa Laval separators are specifically designed for the requirements and demands of this industry.

Brew separators have a long history of enabling breweries around the world to achieve higher yields, meet shifts in demand and maintain profitability. Used in multiple brewery applications, they ensure minimal levels of oxygen pick up during passage through the separator and the highest standards of hygiene.

### Application

Self-cleaning disc stack separation systems in the Brew series are specially designed for general beer clarification, beer pre-clarification or polishing duties with the target to produce the best quality beer with high performance clarification and a maximized yield.

### Benefits

- High separation efficiency
- Minimized oxygen pick-up
- Easy to operate
- Robust and reliable design

### Design

The Brew 80 Plus separation system consists of a separator, a process & service liquid unit, and an electrical & control system.

The liquid outlet is sealed mechanically by an axial hermetic seal that prevents oxidation of the clarified product. The separator discharges solids intermittently at a fixed volume.

The system can be selected with an optional ProCarb™ feature - a patented inline carbonation technology that boosts productivity by combining rapid clarification with carbonation. This combination reduces the processing time from crash cooling tanks to packaging from 3 days to 3 hours.



All components are skid mounted to facilitate “Plug and Play” installation, which results in a small footprint. It can be configured from a selection of basic and optional features and control functions.

The control system includes a PLC and a user-friendly HMI to monitor and control the separation process parameters. The system can be configured for remote operation.

All metallic parts in contact with the process liquid are made of stainless steel. Gaskets and seals in contact with the product are made of FDA approved material and are approved according to food regulations (EC-1935/2004).

The separation system is designed for automated Cleaning in Place (CIP).

## Scope of supply

The standard Brew 80 Plus skid mounted system includes the following main components:

- Disc stack separator
- Process & service liquid unit:
  - Valves, instruments and other components
  - Turbidity triggered solids discharge function
  - Capacity control by inlet turbidity
  - Manual back pressure regulation valves
  - Flow meter
  - Sight glasses
  - Sample valves
- Electrical & control system:
  - Control cabinet with PLC and touchscreen HMI
  - Motor starter cabinet with VFD
- Commissioning spares
- Set of special tools
- Documentation

## Options

- ProCarb™
- Feed pump
- Solids receiving unit (a collection device and a transfer pump for the discharged solids)
- Service options:
  - Commissioning
  - Operators training (basic and advanced level)
  - Basic service agreement
  - Performance agreement

## Working principle

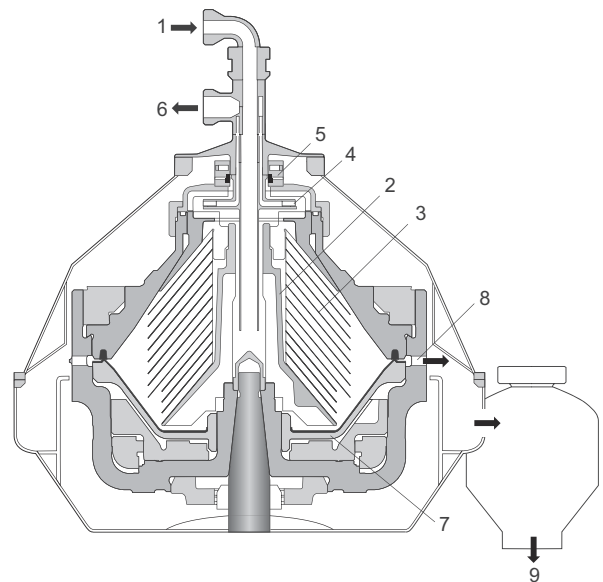
The process & service liquid unit monitors and regulates the flow and pressure of the feed and utility liquids in and out of the separator.

The process liquid is continuously fed from the top into the bowl through the inlet pipe. Separation takes place between the bowl discs due to the centrifugal force. The solids settle towards the periphery of the bowl. The clarified/separated liquid is continuously pumped out of the mechanically sealed bowl by an integrated paring disc through the outlet at the top of the separator.

The solids collected in the periphery of the bowl are discharged intermittently through the discharge ports. The discharge is triggered by a turbidity meter placed in the outlet of the system.

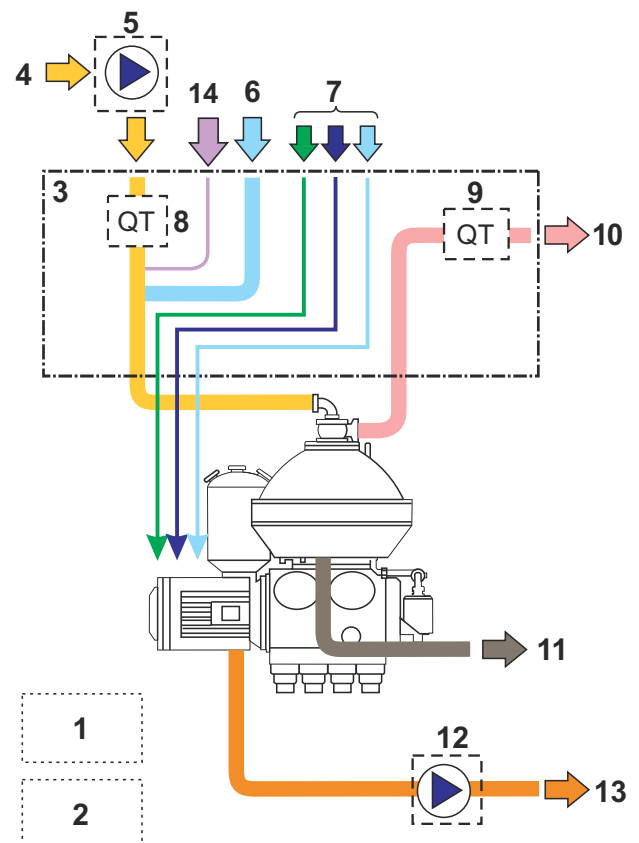
Water is used to control the movement of the sliding bowl bottom part that opens and closes the discharge ports. The discharged solids decelerate in the sludge cyclone and can be pumped out of the system by the optional solids receiving unit.

The process & service liquid unit also controls the separator's discharge system, flushing, and CIP.



Typical bowl drawing for a solids-ejecting separator. The details illustrated do not necessarily correspond to the separator described.

1. Feed inlet
2. Distributor
3. Disc stack
4. Paring disc
5. Axial hermetic seal
6. Liquid phase outlet
7. Sliding bowl bottom
8. Solids discharge ports
9. Solids outlet from cyclone



General flow chart of a separator system. The details may differ slightly between different systems.

1. Control cabinet
2. Main motor starter cabinet and VFD
3. Process liquid module
4. Product inlet
5. Feed pump (optional)
6. Standby / Safety water
7. Utilities
8. Turbidity meter for capacity control
9. Turbidity meter for discharge triggering
10. Outlet for clarified product
11. Drain for separator
12. Solids receiving unit (optional)
13. Outlet of discharge solids
14. ProCarb™ (optional)

### Technical data

#### Performance data<sup>1</sup>

Max capacity	50 hl/h (42 bbl/h)
Max. motor power	11 kW (17.8 HP)

<sup>1</sup> Actual capacity and power consumption depend on application, solids content and operating conditions

#### Connections

Feed inlet	DIN 11851 Union DN 32
Product outlet	DIN 11851 Union DN 32
Solids outlet	DN25 union SMS 1145

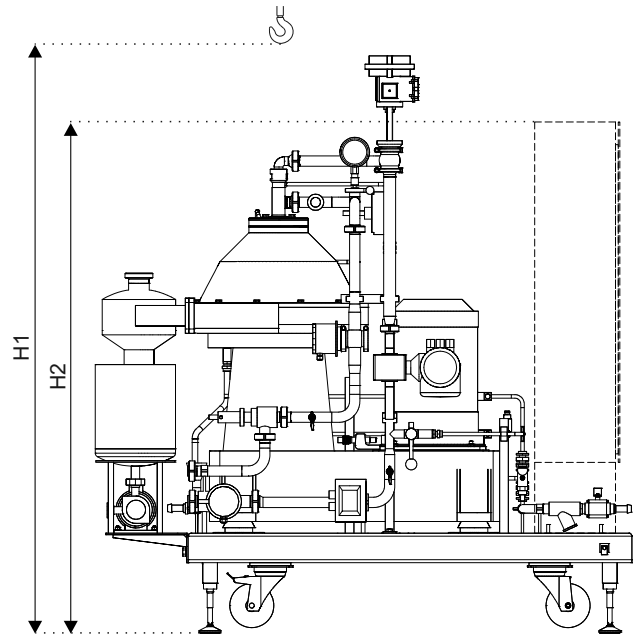
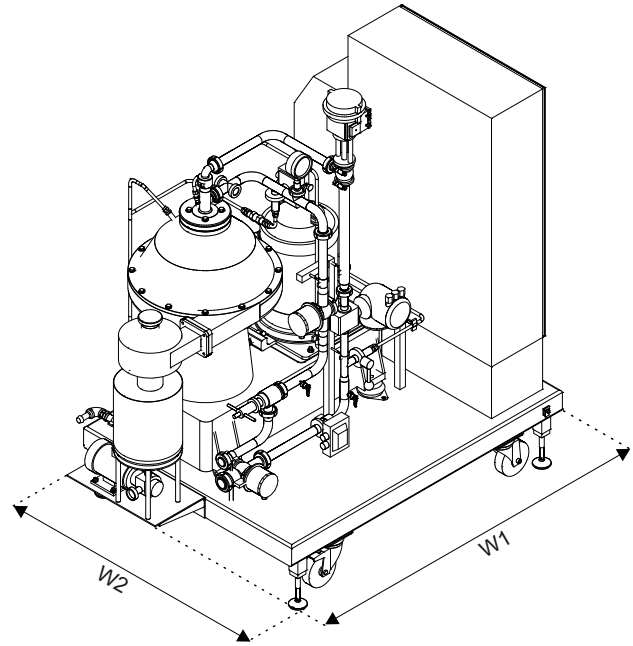
#### Material data

Bowl body	Duplex Stainless Steel, EN 1.4462, ASTM/UNS S31803
Gaskets (product wetted)	NBR and EPDM (FDA approved materials)
Piping	Stainless steel 316L
Frame and cabinets	Stainless steel 316

#### Weights

System incl, separator, bowl and motor	900 kg (1985 lbs)
Bowl	135 kg (297 lbs)

### Dimensional drawing



#### Dimensions

H1	1800 mm (5 ft 10 7/8 inches)
H2	1450 mm (4 ft 9 1/16 inches)
W1	1825 mm (5 ft 11 7/8 inches)
W2	1160 mm (3 ft 9 11/16 inches)

This document and its contents are subject to copyrights and other intellectual property rights owned by Alfa Laval Corporate AB. No part of this document may be copied, re-produced or transmitted in any form or by any means, or for any purpose, without Alfa Laval Corporate AB's prior express written permission. Information and services provided in this document are made as a benefit and service to the user, and no representations or warranties are made about the accuracy or suitability of this information and these services for any purpose. All rights are reserved.

#### How to contact Alfa Laval

Up-to-date Alfa Laval contact details for all countries are always available on our website at [www.alfalaval.com](http://www.alfalaval.com)